

# **CERIO Corporation**

## **ANT-0608WN**

**2.4Ghz / 5Ghz Outdoor thin type Omni**

**6dBi / 8dBi Dual Band**

**Pole / Wall Mount Antenna**

**Installation Guide**

## Specifications

<b>Antenna Type</b>	Indoor / Outdoor Omni Antenna
<b>Frequency Range</b>	2.4 ~ 2.5GHz , 5.2 ~ 5.8GHz Dual Band
<b>Network Specification</b>	Wireless 2.4Ghz Network IEEE 802.11ac/a/an/bgn MIMO
<b>Gain</b>	2.4Ghz : 6dBi / 5Ghz : 8dBi
<b>V.S.W.R</b>	< 1.5
<b>Beam Width-H Plane</b>	360°
<b>Beam Width-E Plane</b>	22°
<b>Polarization</b>	Vertical (Linear)
<b>Input Impedance</b>	50 Ohms
<b>Connector</b>	N-Type Female
<b>Form Factor</b>	Wall Mount and Pole Mount
<b>Rated Wind Velocity</b>	150Km / Hour
<b>Operation Temperature</b>	-20°C - + 70°C
<b>Storage Temperature</b>	-30°C - + 80°C
<b>Humidity</b>	95% maximum (non-condensing)
<b>Product Dimension</b>	Antenna : 250 * 13 (L *W) mm 13mm Diameter (max) With Wall Mount Bracket : 304*55 (L *W) mm
<b>Weight</b>	68g ( With Wall Mount Bracket : 161g)

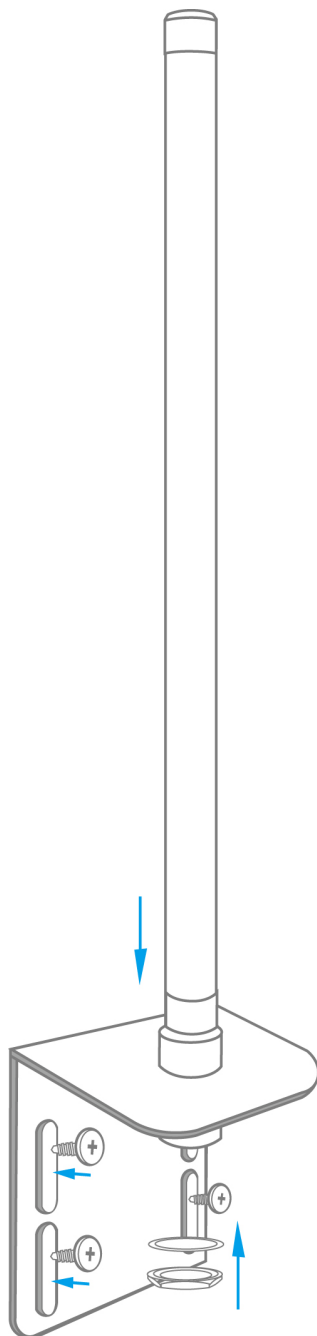
## Package Content

<b>ANT-0608WN Antenna Main Unit</b>	<b>x1</b>
<b>Pole / Wall Mount kit</b>	<b>x1</b>
<b>Quick Installation Guide Booklet</b>	<b>x1</b>
<b>Warranty Card</b>	<b>x1</b>

## Technical Support

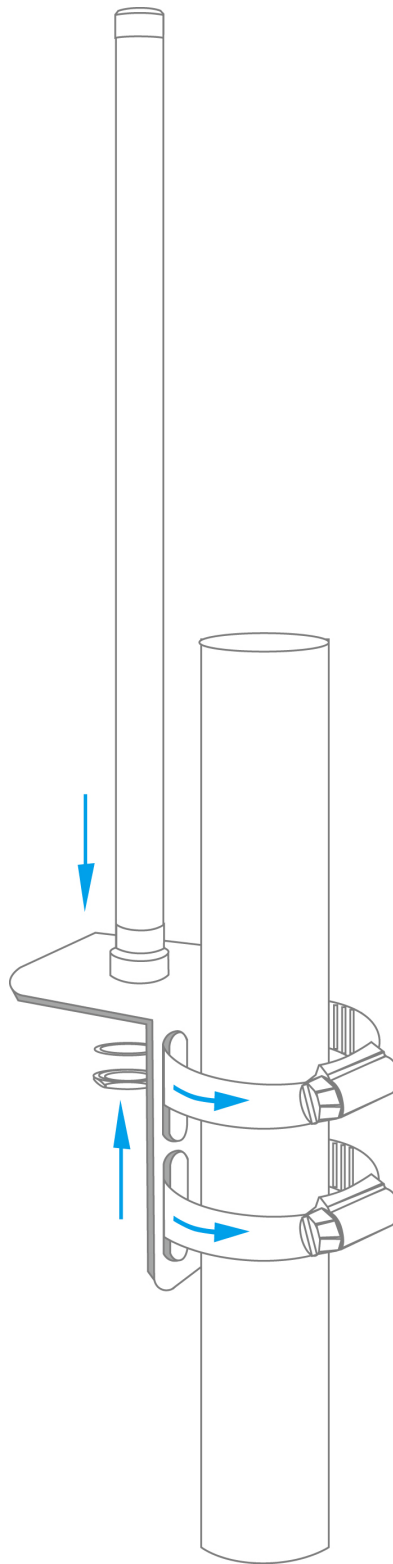
E-mail: [support@cerio.com.tw](mailto:support@cerio.com.tw)  
TEL: +886-2-8667-6160 #222  
Web Site: [www.cerio.com.tw](http://www.cerio.com.tw)

## Wall Mount Sample



Mount the "L" type bracket at the back of the antenna, then mount the antenna on the wall, then lock all the screws and connector between antenna and cable.

## Pole Mount Sample



Mount the "L" type bracket at the back of the reflector, then mount the antenna on the mast supplied by customer according to the Mounting diagram, then lock all the screws and connector between antenna and cable.