

CERIO Corporation

ANT-15AN

5GHz Outdoor Omni 15dBi

Pole Mount Antenna

Installation Guide

Antenna Type	Outdoor Omni Antenna
Frequency Range	5.1 ~ 5.9GHz
Network Specification	Wireless 5Ghz Network IEEE 802.11n , IEEE 802.11a
Gain	15 dBi
V.S.W.R	< 1.5
Beam Width-H Plane	360°
Beam Width-E Plane	7°
Polarization	Vertical (Linear)
Input Impedance	50 Ohms
Connector	N-Type Female
Form Factor	Pole Mount (U-Clamps)
Operation Temperature	-50°C - + 85°C
Storage Temperature	-50°C - + 85°C
Humidity	5~90% maximum (non-condensing)
Product Dimension	740* 68 (L *W) mm , 24mm Diameter (max)
Weight	440g

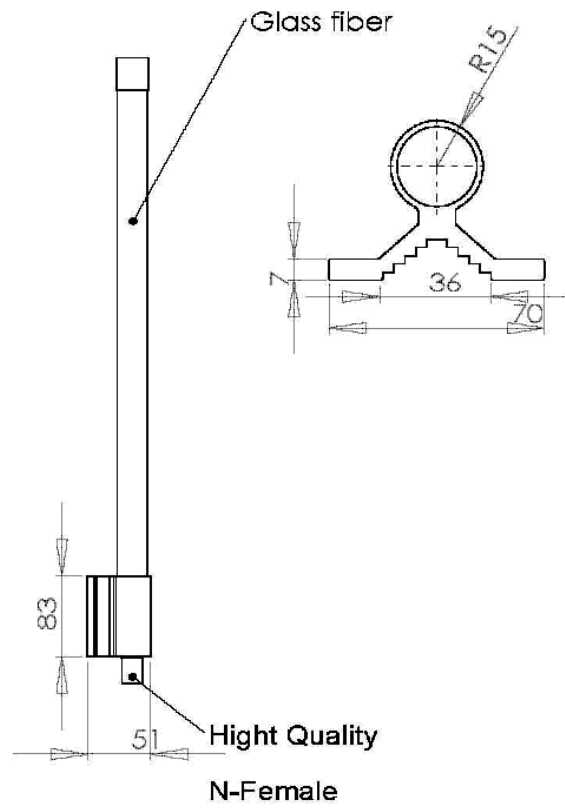
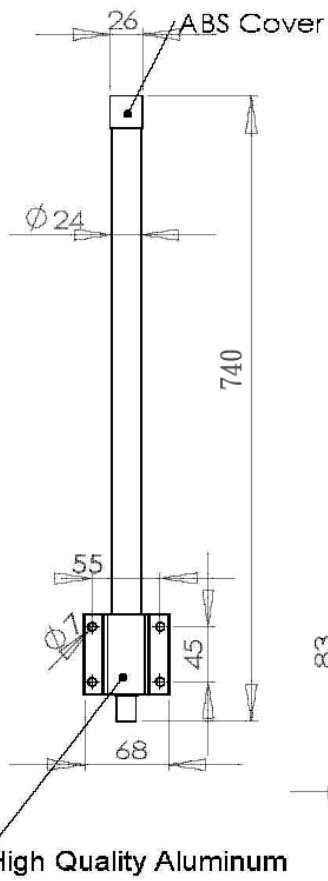
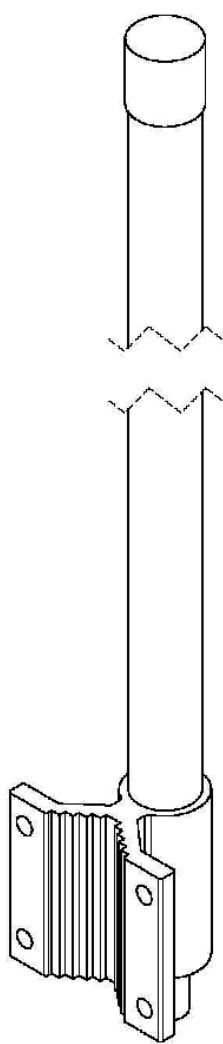
Specifications

Technical Support

E-mail: support@cerio.com.tw

TEL: +886-2-8667-6160 #222

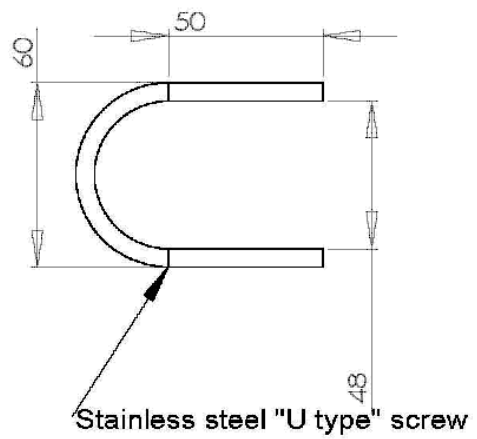
Web Site: www.cerio.com.tw

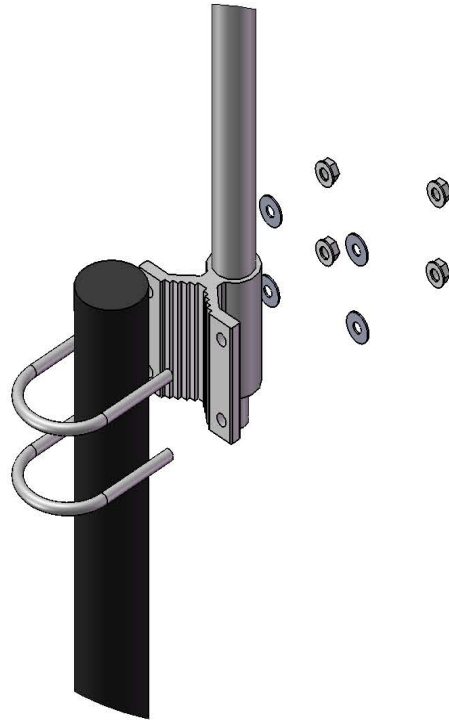
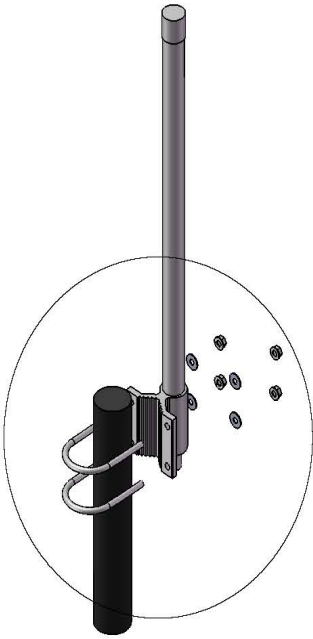


M6 Stainless steel screw



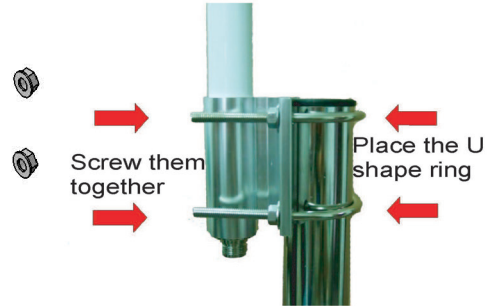
M6 Stainless steel screw mat slice





2:5

1.



2.



3.

Finish

